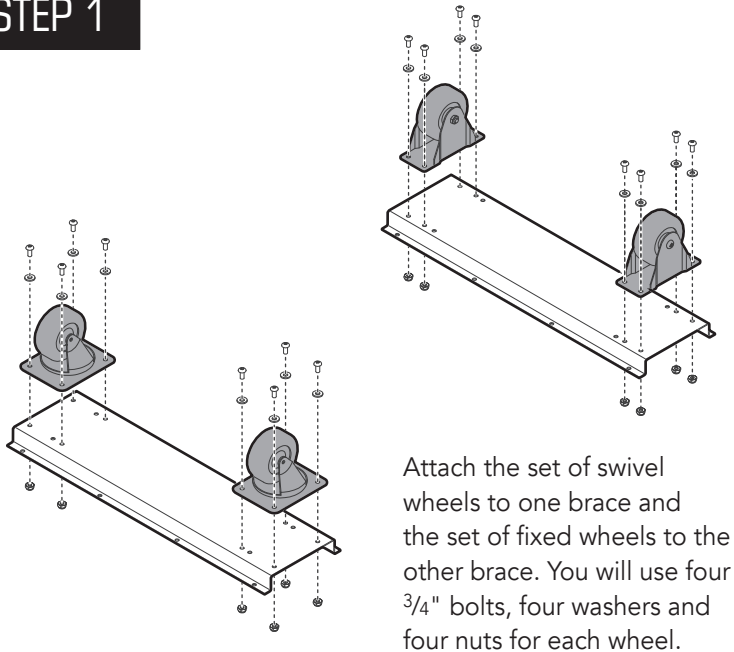


STAINLESS STEEL CART

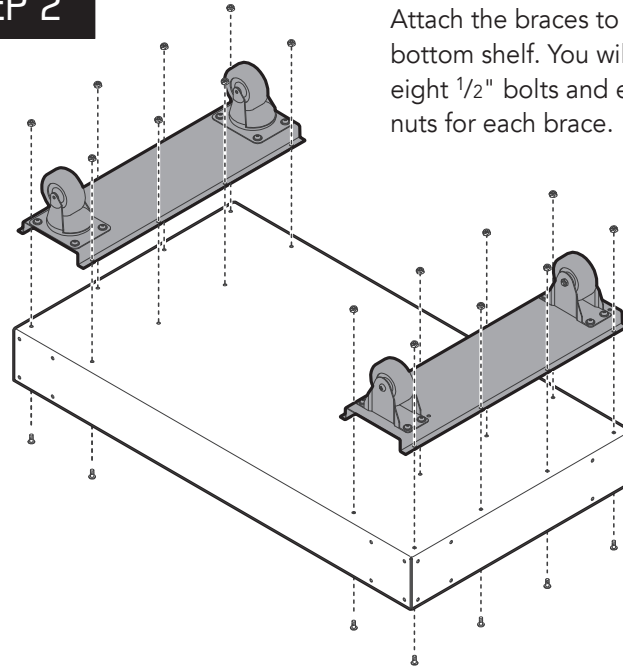


STEP 1



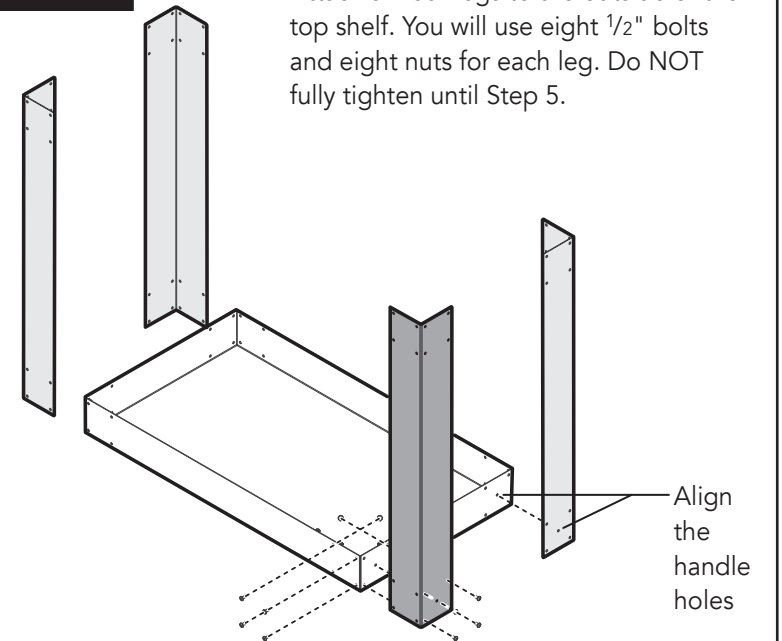
Attach the set of swivel wheels to one brace and the set of fixed wheels to the other brace. You will use four $\frac{3}{4}$ " bolts, four washers and four nuts for each wheel.

STEP 2



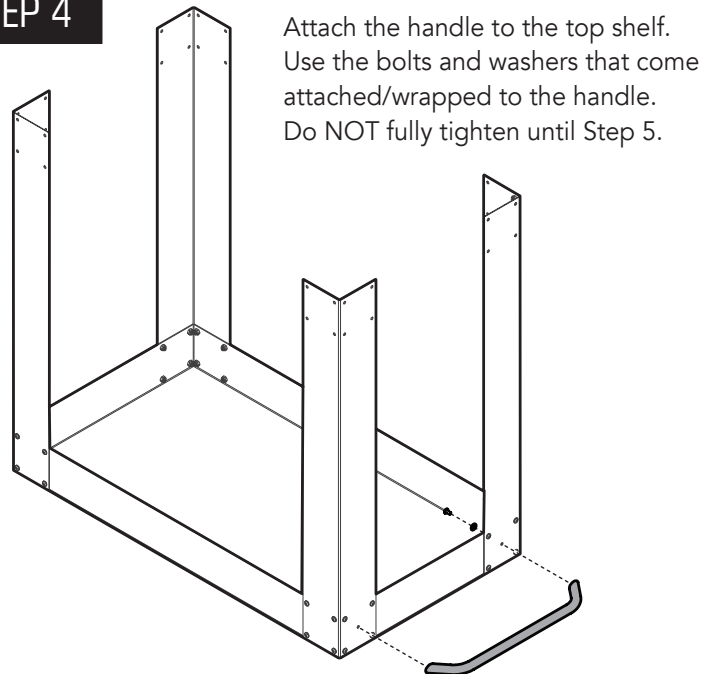
Attach the braces to the bottom shelf. You will use eight $\frac{1}{2}$ " bolts and eight nuts for each brace.

STEP 3



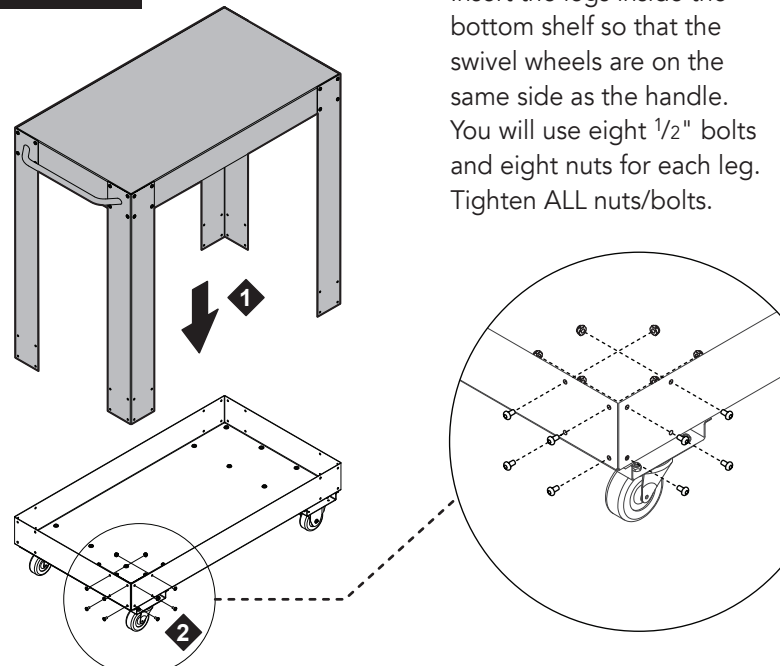
Attach all four legs to the outside of the top shelf. You will use eight $\frac{1}{2}$ " bolts and eight nuts for each leg. Do NOT fully tighten until Step 5.

STEP 4



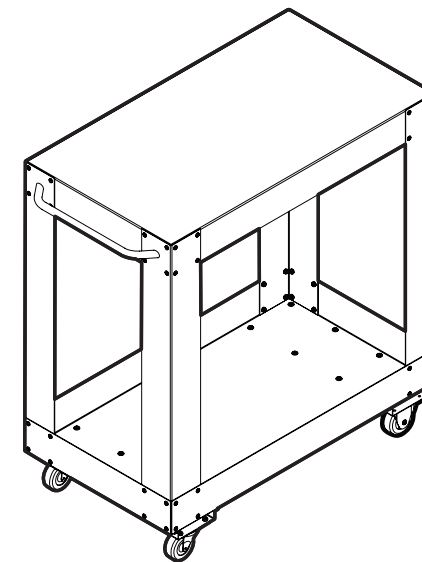
Attach the handle to the top shelf. Use the bolts and washers that come attached/wrapped to the handle. Do NOT fully tighten until Step 5.

STEP 5



Insert the legs inside the bottom shelf so that the swivel wheels are on the same side as the handle. You will use eight $\frac{1}{2}$ " bolts and eight nuts for each leg. Tighten ALL nuts/bolts.

FULLY ASSEMBLED CART:



ALTERNATIVE CONFIGURATION:
If you would like the top shelf to have walls all the way around it, simply flip the shelf upside down in Step 3. The finished cart would then look like this:

