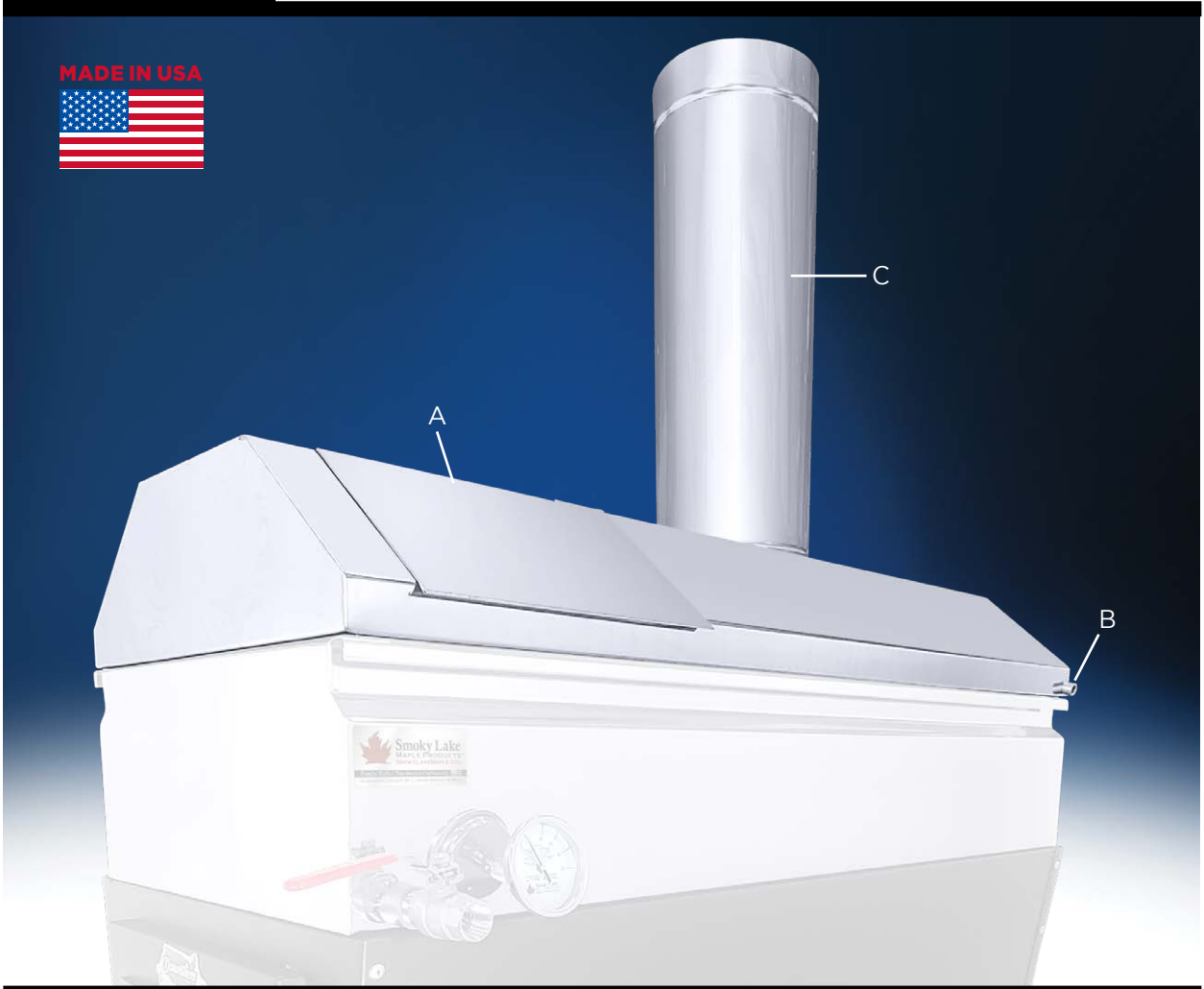




Fitted Hood

FOR DAUNTLESS EVAPORATOR

MADE IN USA



INCLUDES

- A | Inspection Doors**
(One on each side of the evaporator)
- B | 1/4" NPT Drain Port for the Gutters**
- C | Stainless Steel Stack Pipe**
(8" diameter, 2' length)
- D | Drip Tray**
(Not visible here. See page 2, 3)
- E | Hardware Pack**
(Not visible here. See page 2)

- ✓ Lifetime Limited Warranty on TIG Welds
- ✓ Free Shipping in the Continental USA
- ✓ Handcrafted in Hilbert, Wisc.



PARTS



Main Body, Qty 1



Stainless Steel Stack Pipe, 8" x 2'
Qty 1



Door with Hinges, Qty 2



Drip Tray, Qty 1



Hardware Pack

- #8 x 1/2" Machine Screws, Qty 8
- #8 Stainless Steel Lock Nuts, Qty 8
- Self-Tapping Screws Qty 2

TOOLS

These tools will be used for assembly.

- 11/32 Wrench
- Phillips Screwdriver
- Drill with 1/4" Nut Driver
- 1/8" Drill Bit



ASSEMBLY



STEP 1

Insert the Stack Pipe, knurled side down, into the hub on the Main Body



STEP 2

Carefully flip the Main Body upside down and stand it on the Stack Pipe.

Slide the ring of the Drip Tray onto the hub as shown in the photos to the left and below.

STEP 3

Tuck the end of the Drip Tray under the rim of the Hood as shown in the photo below. By doing so, you will direct any condensation from the Drip Tray into the Hood's gutters.



STEP 4

Use the provided Self Tapping Screws to secure this assembly together, inserting one screw through each side of the hub. To enhance ease of installation, predrill the holes with a 1/8" drill bit.

Afterward, you can flip the hood back to being right-side-up so that it looks like the photo from Step 1.

STEP 5

Let's install the Doors. Fasten each hinge using provided hardware, a wrench and screwdriver.



STEP 6

Set the Hood on top of your Dauntless Divided or Hybrid Pan. Add additional lengths of 8" Stack Pipe as needed to penetrate your roof line.



STEP 7

Your Hood includes a 1/4" NPT drain port. (See [B] on page 1.) This allows condensation to drain from the Hood's gutters. You may choose to connect a pipe or hose here.

RELATED PARTS

Available on SmokyLakeMaple.com.
See video of a sample installation at SmokyLakeMaple.com/double-wall



Stack Topper

Discourage precipitation and birds from entering your stack pipe.



Strap Stack

Allows you to quickly and easily disconnect your Hood from your Evaporator.



Stack Pipe

Stainless steel. Available in 2' lengths and a variety of diameters.



Roof Jack w/Collar

Stainless steel. Installed above the roof line at each roof penetration.



3-Point Ceiling Support

Supports the pipe's weight under the roof line.



Concentric Spacer Fins

Centers the inner pipe in a double-wall system.

